

No. F081-3688

ISSUED: May. 30, 2012

REVISED: Jan. 21, 2014



**HOSHIZAKI**  
**SELF-CONTAINED FLAKER**

**MODEL FM-300AKE(-SB)**  
**FM-300AKE-N(-SB)**

(F081, F081-C101, F081-C106,  
F081-C107, F081-C130, F081-C131)

**PARTS LIST**  
(HE)

B-1 MAY. 2012  
C-0 JAN. 2013  
D-0 JAN. 2014  
D-1 JAN. 2014

## List of Specifications

|                |           |                                     |
|----------------|-----------|-------------------------------------|
| FM-300AKE      | F081      | 50Hz                                |
|                | F081-C130 | 60Hz                                |
| FM-300AKE-SB   | F081-C101 | 50Hz, Chasiss : SUS304              |
| FM-300AKE-N    | F081-C106 | 50Hz, Nugget type                   |
|                | F081-C131 | 60Hz, Nugget type                   |
| FM-300AKE-N-SB | F081-C107 | 50Hz, Nugget type, Chasiss : SUS304 |

## Auxiliary Codes

### Auxiliary Code Breakdown

The auxiliary code is the first two characters in the serial number. The first character indicates the year. Years progress or regress in alphabetical order. The series runs from "A" through "V" and the letters "I" and "O" are skipped. The second character indicates significant part changes within a year. Base is "0" and this number advances for each change. In cases where there is a letter in parentheses, this designates the month. This is the last character in the serial number. The series runs from "(A)" through "(M)" and the letter "(I)" is skipped. This designation is only included when identifying a parts change within an auxiliary code.

### Note About Ordering Parts

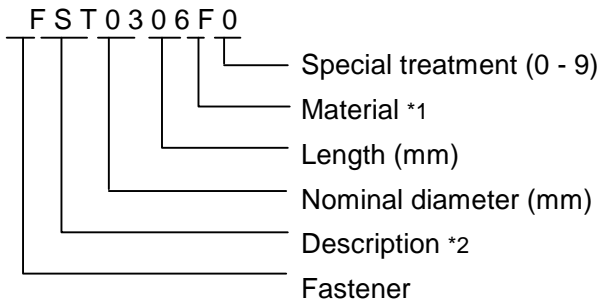
Most assemblies cannot be ordered as complete units; parts in the assemblies generally must be ordered separately.

## MARKS LOCATED UNDER THE AUXILIARY CODE

- = Part deleted.
- x = Part deleted and replaced by "o" part.
- o = New part in place of "x" part.

## FASTENER PART NUMBER

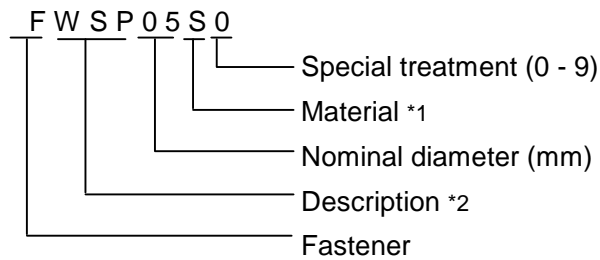
### SCREWS



\*1 Material

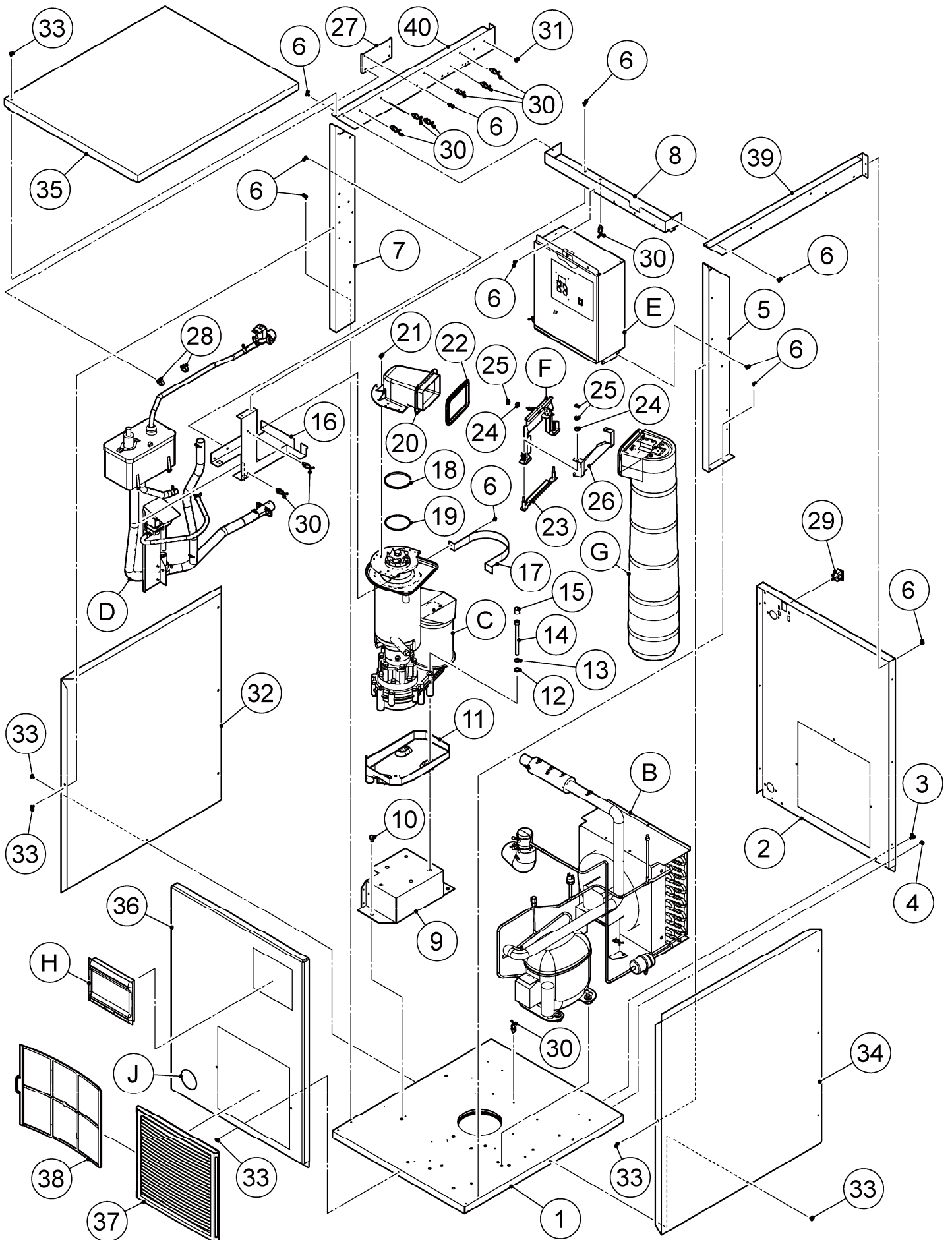
- F: Steel
- S: Austenitic stainless steel
- M: Martensitic stainless steel
- B: Copper alloy
- P: Polycarbonate
- N: Polyamide
- V: PVC
- A: ABS
- X: Polyacetal
- L: Aluminum

### NUTS & WASHERS



\*2 Description

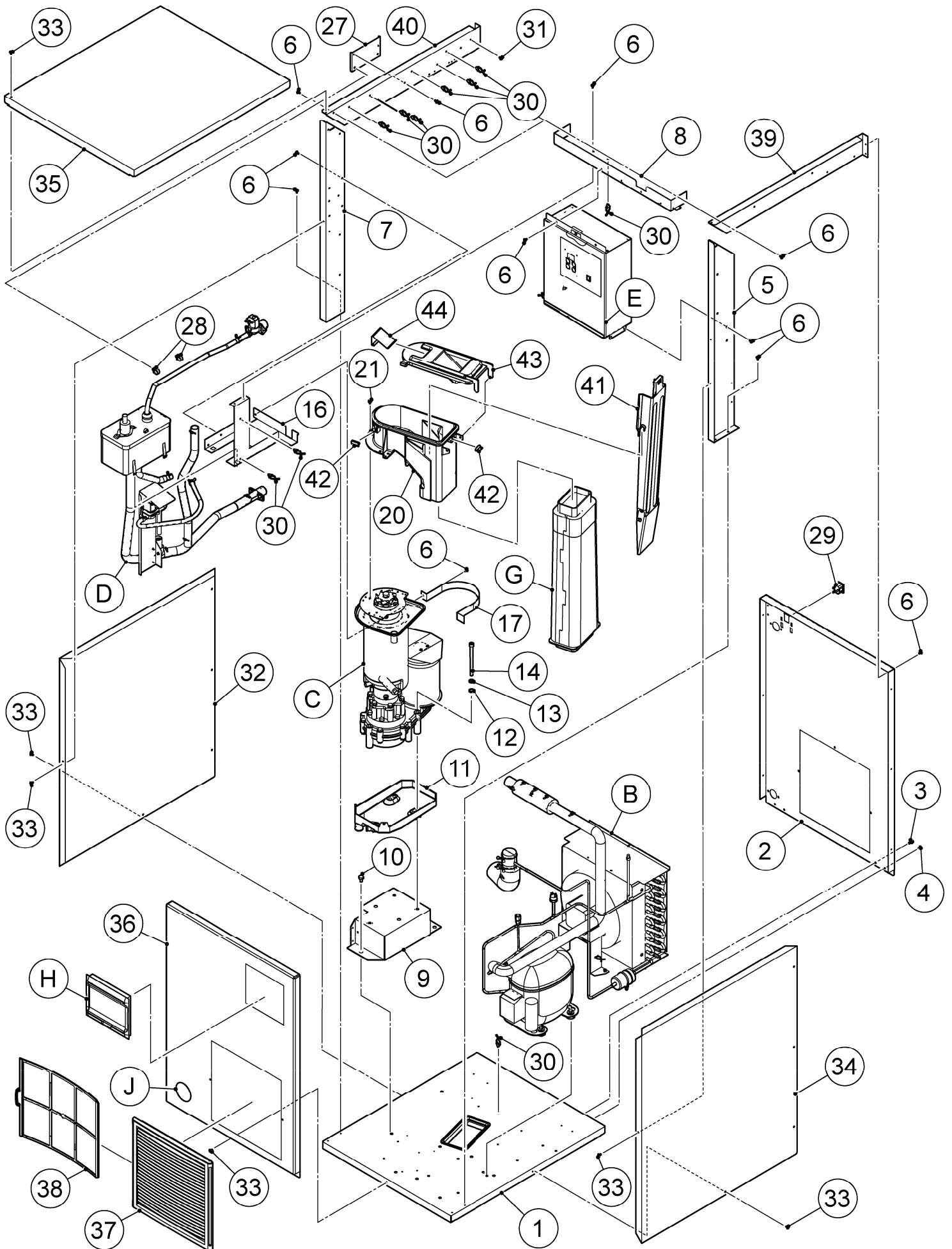
- First letter
- S: Machine screw
- T: Tapping screw
- M: Wood screw
- B: Bolt
- W: Washer
- N: Nut



FM-300AKE(-SB)  
FM-300AKE-N(-SB)

A. ICE FLAKER ASSY

(D-1) and later



HE

| MODEL: FM-300AKE (-SB) |   | TITLE: A. ICE FLAKER ASSY      |             |              |     |  |  |  |
|------------------------|---|--------------------------------|-------------|--------------|-----|--|--|--|
| FM-300AKE-N (-SB)      |   |                                |             |              |     |  |  |  |
| INDEX NO.              | DESCRIPTION                                   | MATERIAL OR MODEL NUMBER       | PART NUMBER | REQ'D NUMBER |     |  |  |  |
|                        |   |                                |             | B-1<br>D-0   | D-1 |  |  |  |
| B                      | REFRIGERATION CIRCUIT                         |                                | 121823A01   | 1            | -   |  |  |  |
|                        |   |                                | 122465A01   | -            | 1   |  |  |  |
|                        |   | 60Hz<br>F081-C130, F081-C131   | 122278A01   | 1            | -   |  |  |  |
|                        |   |                                | 122619A01   | -            | 1   |  |  |  |
| C                      | ICE MAKING UNIT                               |                                | 261985A01   | 1            | -   |  |  |  |
|                        |   |                                | 264097A01   | -            | 1   |  |  |  |
|                        |   | NUGGET<br>F081-C106, F081-C131 | 261985A03   | 1            | -   |  |  |  |
|                        |   |                                | 264097A07   | -            | 1   |  |  |  |
| D                      | WATER CIRCUIT                                 |                                | 121788A01   | 1            | -   |  |  |  |
|                        |   |                                | 122466A01   | -            | 1   |  |  |  |
| E                      | CONTROL BOX ASSY                              |                                | 262070A01   | 1            | 1   |  |  |  |
| F                      | BAND ASSY                                     |                                | S-9165      | 1            | -   |  |  |  |
| G                      | CHUTE ASSY                                    |                                | 113006A01   | 1            | -   |  |  |  |
|                        |   |                                | 377714A02   | -            | 1   |  |  |  |
| H                      | WINDW PANEL ASSY                              |                                | 348243A03   | 1            | 1   |  |  |  |
| J                      | LABEL LOCATION                                |                                | 262072A01   | 1            | 1   |  |  |  |
|                        |   | F081-C106                      | 262072A02   | 1            | 1   |  |  |  |
| M                      | ACCESSORIES                                   |                                | A02524-01   | 1            | 1   |  |  |  |
| 1                      | CHASSIS                                       |                                | 262062G01   | 1            | -   |  |  |  |
|                        |   |                                | 264136G01   | -            | 1   |  |  |  |
|                        |   | SUS304<br>F081-C101, F081-C107 | 266080G01   |              | 1   |  |  |  |
| 2                      | REAR PANEL                                    |                                | 121822M01   | 1            | 1   |  |  |  |
| 3                      | HEX HEAD BOLT (SPRING WASHER AND FLAT WASHER) |                                | FBK0512S0   | 2            | 2   |  |  |  |
| 4                      | T2 TRUSS HEAD SCREW                           |                                | FT20408F0   | 2            | 2   |  |  |  |
| 5                      | SIDE FRAME (R1)                               |                                | 264212M01   | 1            | 1   |  |  |  |
| 6                      | TRUSS HEAD MACHINE SCREW                      |                                | FST0408F0   | 23           | 23  |  |  |  |
| 7                      | SIDE FRAME (L1)                               |                                | 264214M01   | 1            | 1   |  |  |  |
| 8                      | FRONT FRAME                                   |                                | 261984M01   | 1            | 1   |  |  |  |

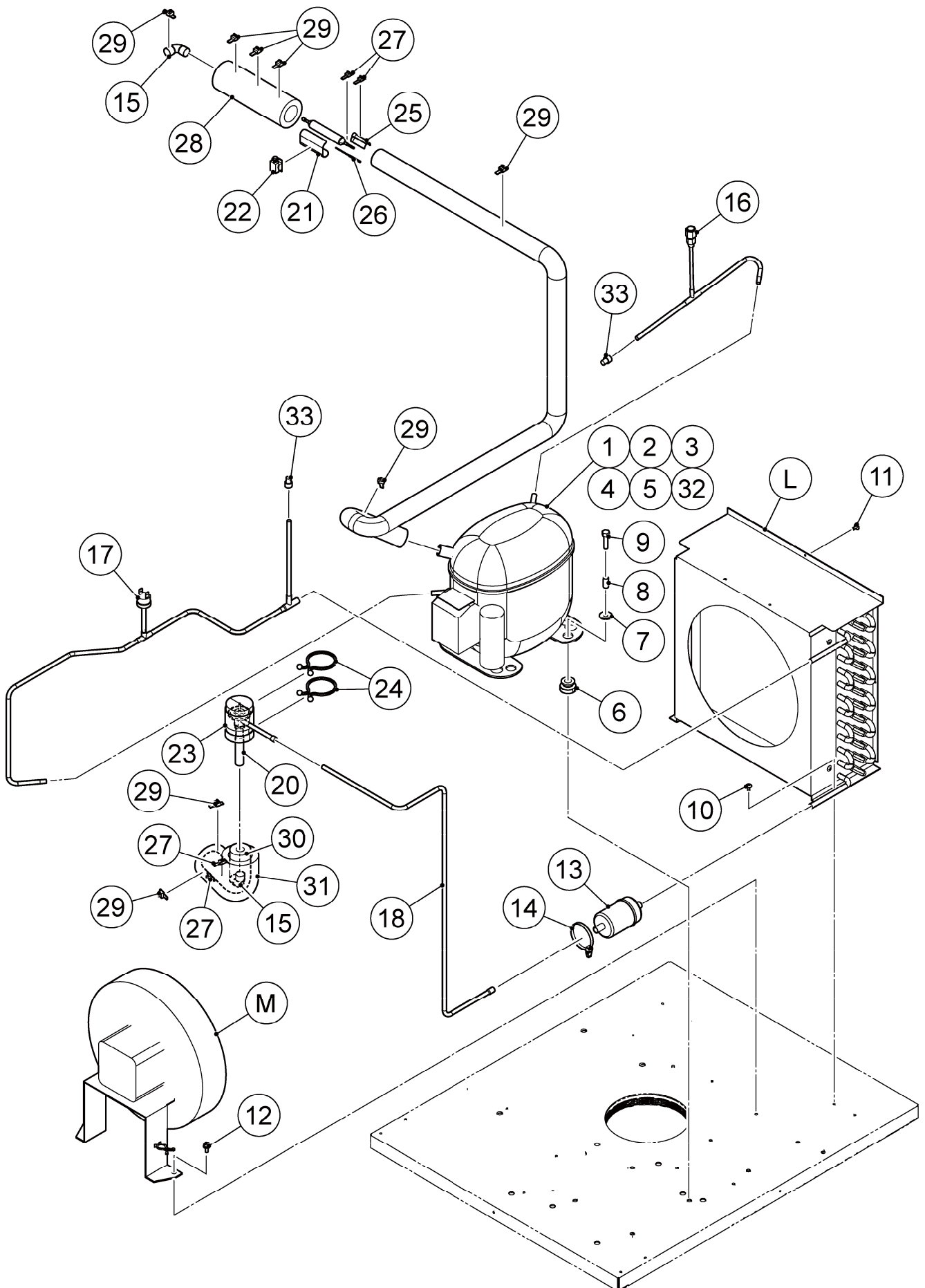
HE

| MODEL: <b>FM-300AKE (-SB)</b> |   |                                 |             | TITLE: <b>A. ICE FLAKER ASSY</b> |     |  |  |  |
|-------------------------------|---|---------------------------------|-------------|----------------------------------|-----|--|--|--|
|                               |   | MODEL: <b>FM-300AKE-N (-SB)</b> |             |                                  |     |  |  |  |
| INDEX NO.                     | DESCRIPTION                                   | MATERIAL OR MODEL NUMBER        | PART NUMBER | REQ'D NUMBER                     |     |  |  |  |
|                               |   |                                 |             | B-1<br>D-0                       | D-1 |  |  |  |
| 9                             | BRACKET - GEAR MOTOR                          |                                 | 373520G01   | 1                                | -   |  |  |  |
|                               |   |                                 | 374371G01   | -                                | 1   |  |  |  |
| 10                            | HEX HEAD BOLT                                 |                                 | FBH0812S0   | 3                                | 3   |  |  |  |
| 11                            | DRAIN PAN                                     |                                 | 261640P01   | 1                                | 1   |  |  |  |
| 12                            | SEAL WASHER                                   |                                 | 458299-01   | 3                                | 3   |  |  |  |
| 13                            | SPRING WASHER                                 |                                 | FWSP08S0    | 3                                | 3   |  |  |  |
| 14                            | HEXAGON SOCKET HEAD CAP SCREW                 |                                 | 461285-01   | 3                                | 3   |  |  |  |
| 15                            | VINYL CAP                                     |                                 | 451272-01   | 3                                | -   |  |  |  |
| 16                            | BRACKET-RESERVOIR                             |                                 | 261986M01   | 1                                | -   |  |  |  |
|                               |   |                                 | 264139M01   | -                                | 1   |  |  |  |
| 17                            | BAND  |                                 | 475195M01   | 1                                | 1   |  |  |  |
| 18                            | RING  |                                 | 432661-02   | 1                                | -   |  |  |  |
| 19                            | O-RING  |                                 | 7616-G070   | 1                                | -   |  |  |  |
| 20                            | SPOUT   |                                 | 104797-01   | 1                                | -   |  |  |  |
|                               | SPOUT - 70                                    |                                 | 478015G01   | -                                | 1   |  |  |  |
| 21                            | HEX HEAD BOLT (SPRING WASHER AND FLAT WASHER) |                                 | FBK0408S0   | 3                                | -   |  |  |  |
|                               |   |                                 | FBK0412S0   | -                                | 3   |  |  |  |
| 22                            | PACKING                                       |                                 | 454256-01   | 1                                | -   |  |  |  |
| 23                            | BAND (B)                                      |                                 | 459995G01   | 1                                | -   |  |  |  |
| 24                            | FLANGE NUT                                    |                                 | FNHF06S0    | 3                                | -   |  |  |  |
| 25                            | NUT   |                                 | FNH106F0    | 5                                | -   |  |  |  |
| 26                            | DRIP GUIDE                                    |                                 | 350725-01   | 1                                | -   |  |  |  |
| 27                            | BRACKET-WATER SUPPLY                          |                                 | 476650M01   | 1                                | 1   |  |  |  |
| 28                            | CLAMP   |                                 | 428644-03   | 2                                | 2   |  |  |  |
| 29                            | CONNECTOR                                     |                                 | P00245-02   | 1                                | 1   |  |  |  |
| 30                            | WIRE RETAINER                                 |                                 | 427902-03   | 10                               | 10  |  |  |  |
| 31                            | PAN HEAD SCREW SW                             |                                 | FSK0408S0   | 1                                | 1   |  |  |  |
| 32                            | SIDE PANEL (L)                                |                                 | 261989M01   | 1                                | 1   |  |  |  |
| 33                            | TRUSS HEAD SCREW                              |                                 | FST0408S0   | 12                               | 12  |  |  |  |
| 34                            | SIDE PANEL (R)                                |                                 | 262071M01   | 1                                | 1   |  |  |  |
| 35                            | TOP PANEL                                     |                                 | 261991M01   | 1                                | 1   |  |  |  |
| 36                            | FRONT PANEL (A)                               |                                 | 122243G01   | 1                                | 1   |  |  |  |
| 37                            | LOUVER  |                                 | 121931P01   | 1                                | 1   |  |  |  |

HE

| MODEL: <b>FM-300AKE (-SB)</b> |                  | TITLE: <b>A. ICE FLAKER ASSY</b>            |             |              |     |  |  |  |
|-------------------------------|------------------|---|-------------|--------------|-----|--|--|--|
| FM-300AKE-N (-SB)             |                  |   |             |              |     |  |  |  |
| INDEX NO.                     | DESCRIPTION      | MATERIAL OR MODEL NUMBER                    | PART NUMBER | REQ'D NUMBER |     |  |  |  |
|                               |                  |   |             | B-1<br>D-0   | D-1 |  |  |  |
| 38                            | AIR FILTER       |   | 262259G01   | 1            | 1   |  |  |  |
| 39                            | SIDE FRAME (R2)  |   | 264213M01   | 1            | 1   |  |  |  |
| 40                            | SIDE FRAME (L2)  |   | 264215M01   | 1            | 1   |  |  |  |
| 41                            | ACTUATOR         |   | 377676G02   | -            | 1   |  |  |  |
|                               |                  | NUGGET<br>F081-C106, F081-C107<br>F081-C131 | 377676G01   | -            | 1   |  |  |  |
| 42                            | REED SWITCH      |   | P02940-01   | -            | 2   |  |  |  |
| 43                            | SPOUT COVER - 70 |   | 263887G01   | -            | 1   |  |  |  |
| 44                            | SPRING - SPOUT   |   | 478013M01   | -            | 1   |  |  |  |



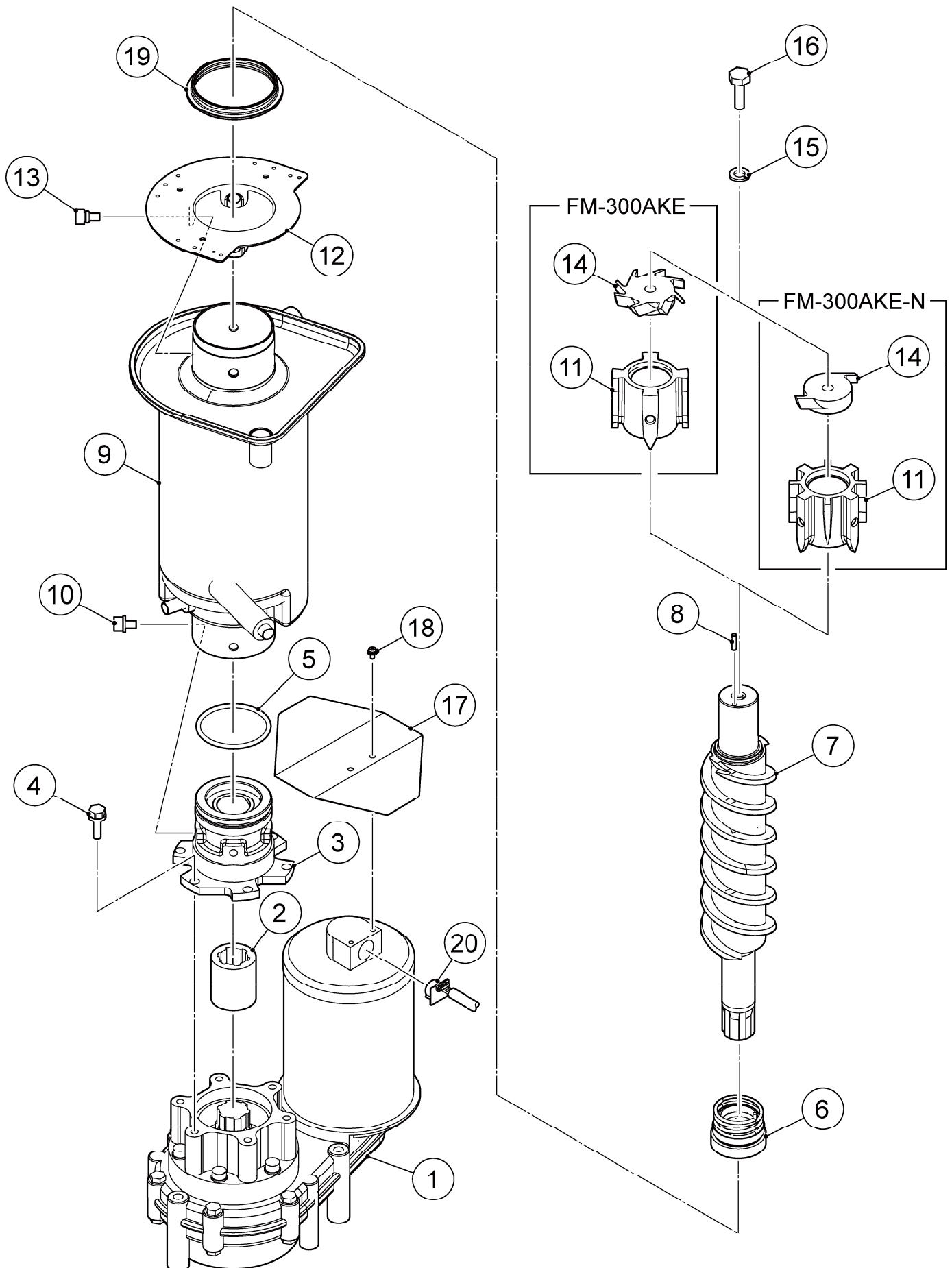


HE

| MODEL: FM-300AKE (-SB) |   | TITLE: B. REFRIGERATION CIRCUIT         |             |              |     |  |  |  |
|------------------------|---|---|-------------|--------------|-----|--|--|--|
| FM-300AKE-N (-SB)      |   |   |             |              |     |  |  |  |
| INDEX NO.              | DESCRIPTION                                   | MATERIAL OR MODEL NUMBER                | PART NUMBER | REQ'D NUMBER |     |  |  |  |
|                        |   |   |             | B-1<br>D-0   | D-1 |  |  |  |
| K                      | CONDENSER ASSY                                |   | 376368A01   | 1            | 1   |  |  |  |
| L                      | FAN MOTOR ASSY                                |   | 376370A01   | 1            | 1   |  |  |  |
|                        |   |   |             |              |     |  |  |  |
| 1                      | COMPRESSOR                                    |   | P01666-01   | 1            | 1   |  |  |  |
|                        |   | F081-C130, F081-C131                    | P02309-01   | 1            | 1   |  |  |  |
| 2                      | STARTING RELAY                                |   | 452237-01   | 1            | 1   |  |  |  |
|                        | STARTING DEVICE                               | F081-C130, F081-C131                    | P02347-01   | 1            | 1   |  |  |  |
| 3                      | START CAPACITOR                               | F081, F081-C101<br>F081-C106, F081-C107 | 456350-01   | 1            | 1   |  |  |  |
| 4                      | COVER   |   | 459924-01   | 1            | 1   |  |  |  |
|                        |   | F081-C130, F081-C131                    | P01179-01   | 1            | 1   |  |  |  |
| 5                      | CORD RELIEF                                   |   | 452239-01   | 1            | 1   |  |  |  |
| 6                      | GROMMET                                       |   | 450897-01   | 4            | 4   |  |  |  |
| 7                      | WASHER CUSHION                                |   | 450894-01   | 4            | 4   |  |  |  |
| 8                      | BUSH CUSHION                                  |   | 450895-01   | 4            | 4   |  |  |  |
| 9                      | BOLT  |   | 4A1459-01   | 4            | 4   |  |  |  |
| 10                     | TRUSS HEAD SCREW                              |   | FST0408F0   | 2            | 2   |  |  |  |
|                        |   | F081-C130, F081-C131                    |             | 4            | 4   |  |  |  |
| 11                     | T2 TRUSS HEAD SCREW                           |   | FT20408F0   | 3            | 3   |  |  |  |
| 12                     | HEX HEAD BOLT (SPRING WASHER AND FLAT WASHER) |   | FBK0512S0   | 2            | 2   |  |  |  |
| 13                     | DRIER   |   | 462965-01   | 1            | 1   |  |  |  |
| 14                     | TIE   |   | 436156-02   | 1            | 1   |  |  |  |
| 15                     | ELBOW   |   | 417395-03   | 2            | 2   |  |  |  |
| 16                     | COPPER TUBE(B)-LOW SIDE                       |   | 463016G01   | 1            | 1   |  |  |  |
| 17                     | COPPER TUBE(A) - H                            |   | 262068G01   | 1            | 1   |  |  |  |
| 18                     | COPPER TUBE(B) - L                            |   | 376372M01   | 1            | -   |  |  |  |
|                        | COPPER TUBE(B) - H                            |   | 377784M01   | -            | 1   |  |  |  |
| 19                     | COPPER TUBE(A) - L                            |   | 262069G01   | 1            | -   |  |  |  |
|                        | COPPER TUBE - L                               |   | 264162G01   | -            | 1   |  |  |  |
| 20                     | EXPANSION VALVE                               |   | 453868-01   | 1            | 1   |  |  |  |
| 21                     | HOLDER - EXP. VALVE 1/2                       |   | 3A0112-01   | 1            | 1   |  |  |  |
| 22                     | CLAMP   |   | 443461-01   | 1            | 1   |  |  |  |
| 23                     | VALVE COVER                                   |   | 3Y3196P01   | 1            | 1   |  |  |  |
| 24                     | CLAMP   |   | P00752-01   | 2            | 2   |  |  |  |

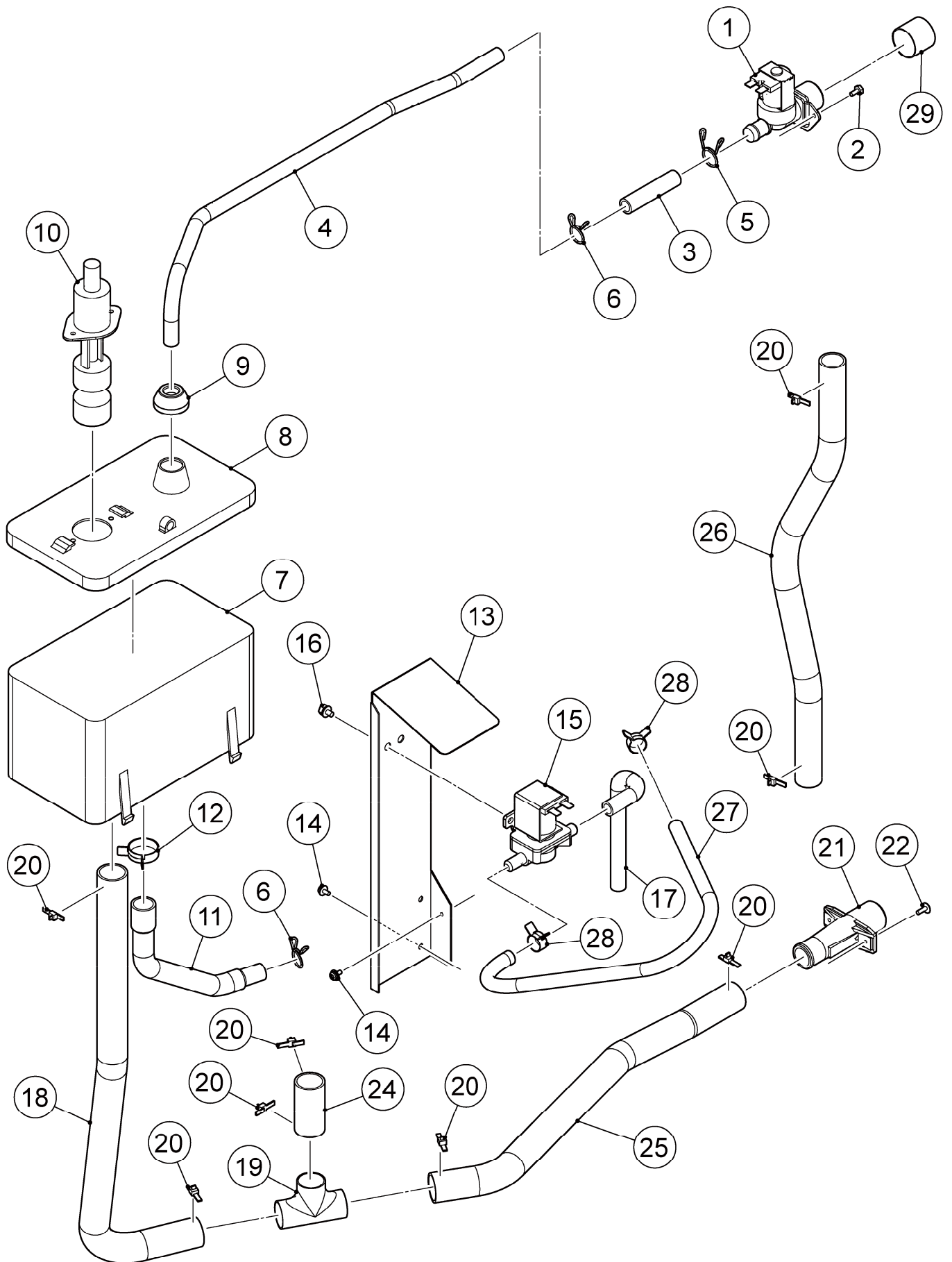
HE

| MODEL: <b>FM-300AKE (-SB)</b> |                     | TITLE: <b>B. REFRIGERATION CIRCUIT</b> |             |              |     |  |  |  |
|-------------------------------|---------------------|--|-------------|--------------|-----|--|--|--|
| FM-300AKE-N (-SB)             |                     |  |             |              |     |  |  |  |
| INDEX NO.                     | DESCRIPTION         | MATERIAL OR MODEL NUMBER               | PART NUMBER | REQ'D NUMBER |     |  |  |  |
|                               |                     |  |             | B-1<br>D-0   | D-1 |  |  |  |
| 25                            | HOLDER - THERMISTOR |  | 427430-01   | 1            | -   |  |  |  |
|                               |                     |  | 458132-01   | -            | 1   |  |  |  |
| 26                            | THERMISTOR ASSY     |  | 475407G01   | 1            | 1   |  |  |  |
| 27                            | TIE                 | CV-150                                 | 7920-0003   | 4            | 3   |  |  |  |
| 28                            | Insulation Tube     |  | H72949B15   | 1            | 1   |  |  |  |
| 29                            | NYLON TIE           | CV-200                                 | 7920-0010   | 8            | 8   |  |  |  |
| 30                            | INSULATION TUBE     |  | H71333B35   | 1            | 1   |  |  |  |
| 31                            | Insulation Tube     |  | H73858B28   | 1            | 1   |  |  |  |
| 32                            | NEOBELT PC          |  | 446470-01   | 2            | 2   |  |  |  |
|                               |                     | F081-C130, F081-C131                   |             |              | 1   |  |  |  |
| 33                            | LOCKRING STOPPER    |  | P01677-01   | 2            | 2   |  |  |  |



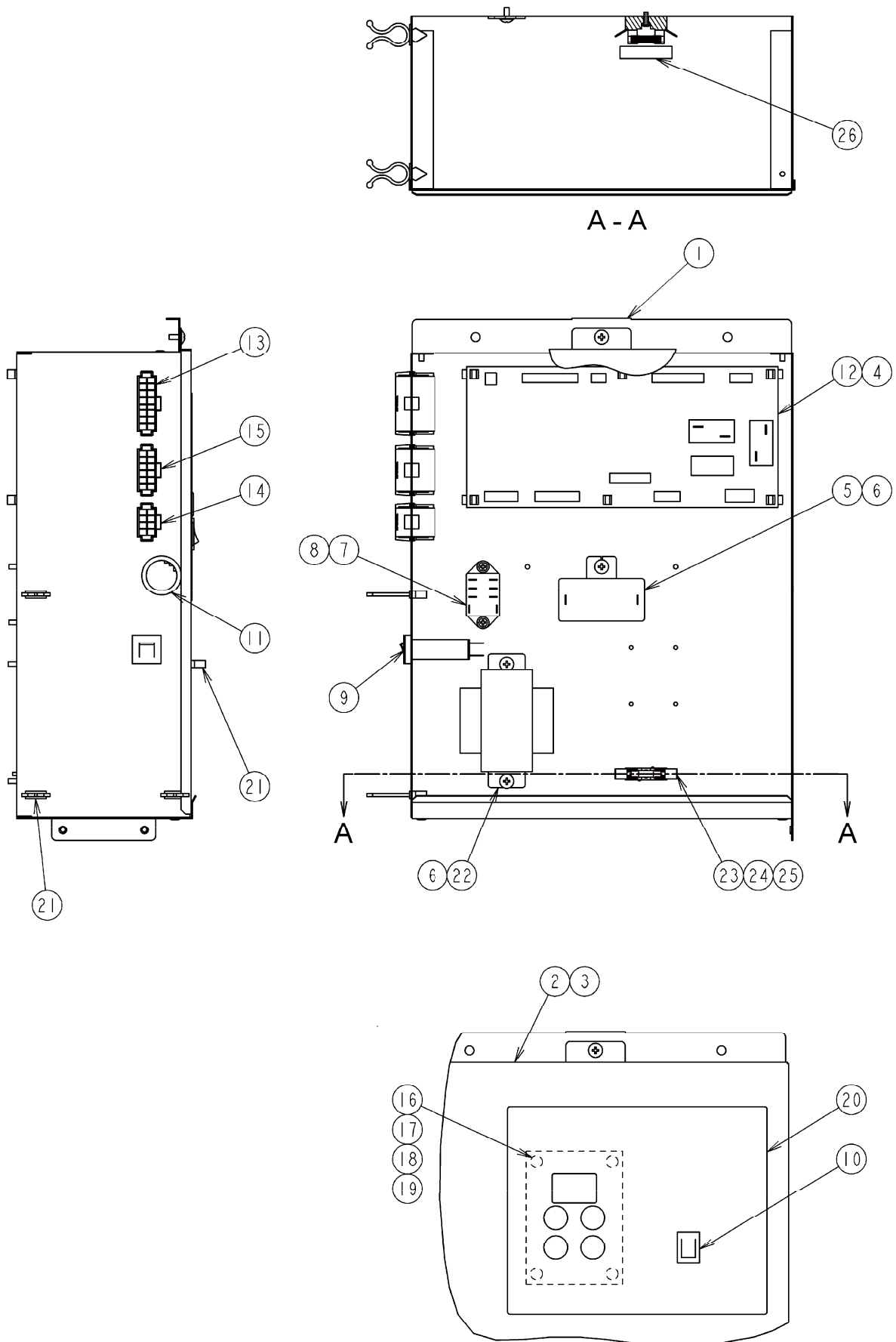
HE

| MODEL: <b>FM-300AKE (-SB)</b> |                             | TITLE: <b>C. ICE MAKING UNIT</b>  |             |              |     |  |  |  |
|-------------------------------|-----------------------------|-----------------------------------|-------------|--------------|-----|--|--|--|
| FM-300AKE-N (-SB)             |                             |                                   |             |              |     |  |  |  |
| INDEX NO.                     | DESCRIPTION                 | MATERIAL OR MODEL NUMBER          | PART NUMBER | REQ'D NUMBER |     |  |  |  |
|                               |                             |                                   |             | B-1<br>D-0   | D-1 |  |  |  |
| 1                             | GEAR MOTOR                  |                                   | 466223-01   | 1            | 1   |  |  |  |
| 2                             | COUPLING                    |                                   | 414137-01   | 1            | 1   |  |  |  |
| 3                             | BEARING (LOWER)             |                                   | 206657G02   | 1            | 1   |  |  |  |
| 4                             | HEX.HEAD BOLT W/WASHER (SW) |                                   | 461888-01   | 6            | 6   |  |  |  |
| 5                             | O-RING                      |                                   | 7616-G065   | 1            | 1   |  |  |  |
| 6                             | MECHANICAL SEAL             |                                   | 432492-01   | 1            | 1   |  |  |  |
| 7                             | AUGER                       |                                   | 120863G02   | 1            | 1   |  |  |  |
| 8                             | PIN                         |                                   | 713S-0416   | 1            | 1   |  |  |  |
| 9                             | EVAPORATOR                  |                                   | 258997G01   | 1            | 1   |  |  |  |
| 10                            | SCREW                       |                                   | P01719-01   | 4            | 4   |  |  |  |
| 11                            | EXTRUDING HEAD-70F          |                                   | 327097G04   | 1            | 1   |  |  |  |
|                               | EXTRUDING HEAD-70N          | F081-C106, F081-C107<br>F081-C131 | 216531G02   | 1            | 1   |  |  |  |
| 12                            | FLANGE-70                   |                                   | 476246G02   | 1            | -   |  |  |  |
|                               |                             |                                   | 372207M01   | -            | 1   |  |  |  |
| 13                            | SEAL BOLT - M8              |                                   | P01768-01   | 4            | 4   |  |  |  |
| 14                            | CUTTER                      | F081-C106, F081-C107<br>F081-C131 | 317071-02   | 1            | 1   |  |  |  |
|                               |                             |                                   | 327145-01   | 1            | 1   |  |  |  |
| 15                            | SPRING WASHER               |                                   | FWSP10S0    | 1            | 1   |  |  |  |
| 16                            | SCREW-BOLT                  |                                   | 458101-01   | 1            | 1   |  |  |  |
| 17                            | COVER-GEAR MOTOR            |                                   | 466374-01   | 1            | 1   |  |  |  |
| 18                            | PAN HEAD SCREW SW           |                                   | FSK0408S0   | 2            | 2   |  |  |  |
| 19                            | PACKING - SPOUT             |                                   | 473494R01   | -            | 1   |  |  |  |
| 20                            | ROTATION SENSOR             | GEAR MOTOR ACCESSORY              | 459861-03   | 1            | 1   |  |  |  |



HE

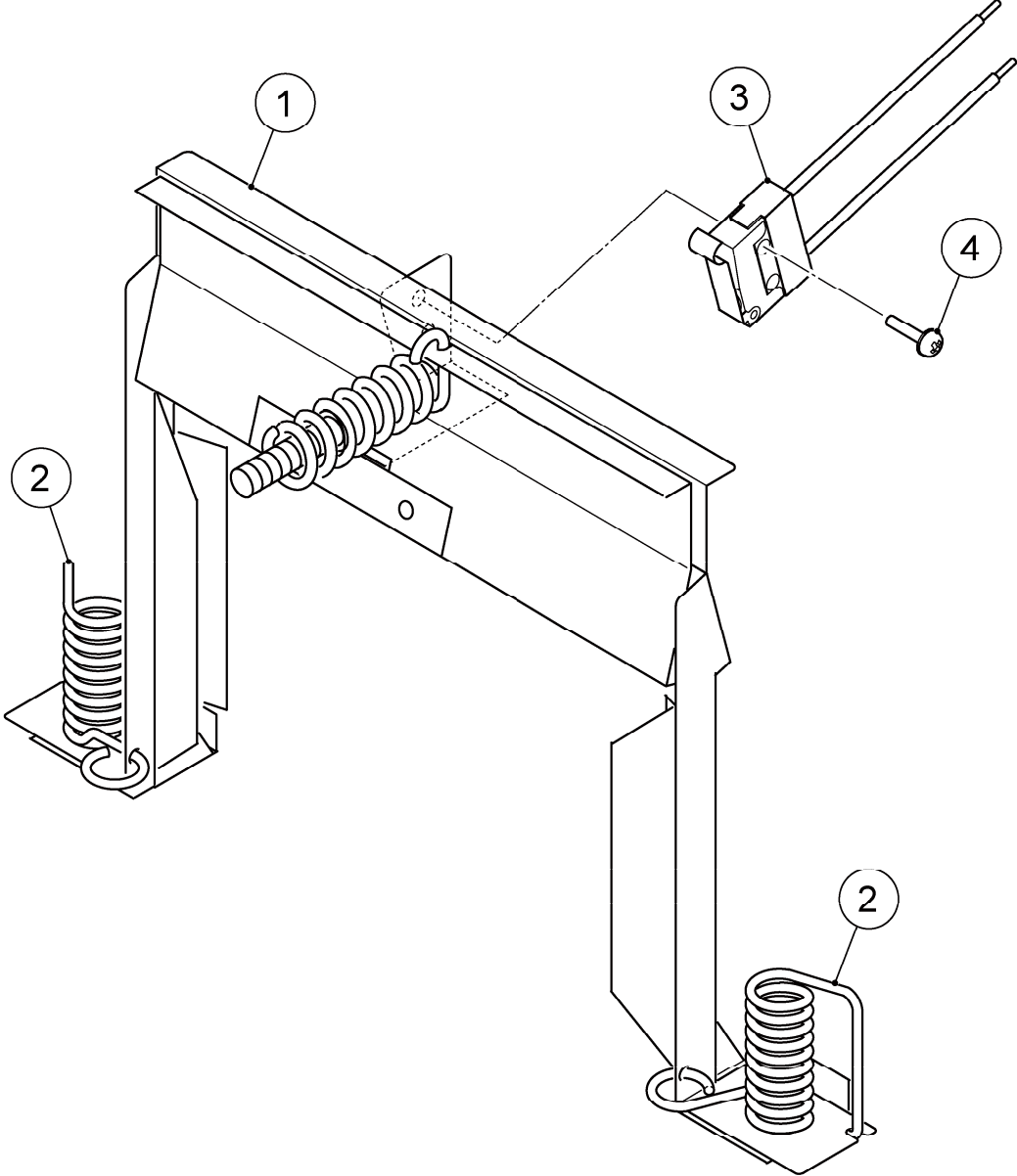
| MODEL: <b>FM-300AKE (-SB)</b> |   |                                 |             | TITLE: <b>D. WATER CIRCUIT</b> |     |  |  |  |
|-------------------------------|---|---------------------------------|-------------|--------------------------------|-----|--|--|--|
|                               |   | MODEL: <b>FM-300AKE-N (-SB)</b> |             |                                |     |  |  |  |
| INDEX NO.                     | DESCRIPTION   | MATERIAL OR MODEL NUMBER        | PART NUMBER | REQ'D NUMBER                   |     |  |  |  |
|                               |   |                                 |             | B-1<br>D-0                     | D-1 |  |  |  |
| 1                             | WATER VALVE   |                                 | 452993-01   | 1                              | 1   |  |  |  |
| 2                             | HEX HEAD BOLT   |                                 | FBH0408S0   | 2                              | 2   |  |  |  |
| 3                             | SI HOSE   |                                 | H11014060   | 1                              | 1   |  |  |  |
| 4                             | PIPE-WATER SUPPLY   |                                 | 376329M01   | 1                              | 1   |  |  |  |
| 5                             | HOSE CLAMP  |                                 | 435934-03   | 1                              | 1   |  |  |  |
| 6                             | HOSE CLAMP  |                                 | 435934-02   | 2                              | 2   |  |  |  |
| 7                             | RESERVOIR   |                                 | 232626-01   | 1                              | 1   |  |  |  |
| 8                             | COVER - RESERVOIR   |                                 | 232627-01   | 1                              | 1   |  |  |  |
| 9                             | COVER - RESERVOIR INLET                                   |                                 | 415094-01   | 1                              | 1   |  |  |  |
| 10                            | FLOAT SWITCH  |                                 | 458279-01   | 1                              | 1   |  |  |  |
| 11                            | HOSE  |                                 | 372321R01   | 1                              | 1   |  |  |  |
| 12                            | CLIP BAND   |                                 | 423866-08   | 1                              | 1   |  |  |  |
| 13                            | BRACKET - VALVE   |                                 | 373530M01   | 1                              | 1   |  |  |  |
| 14                            | PAN HEAD MACHINE SCREW<br>(SPRING WASHER AND FLAT WASHER) |                                 | FSK0408F0   | 3                              | 3   |  |  |  |
| 15                            | WATER VALVE   |                                 | 468655-01   | 1                              | 1   |  |  |  |
| 16                            | HEX HEAD BOLT (SPRING<br>WASHER AND FLAT WASHER)          |                                 | FBK0508F0   | 2                              | 2   |  |  |  |
| 17                            | DRAIN HOSE (B)  |                                 | 459329-01   | 1                              | 1   |  |  |  |
| 18                            | PVC Hose - FSA  |                                 | HD2226520   | 1                              | -   |  |  |  |
|                               |   |                                 | HD2226500   | -                              | 1   |  |  |  |
| 19                            | TEE   |                                 | 120228M01   | 1                              | 1   |  |  |  |
| 20                            | TIE   |                                 | 7920-0003   | 8                              | 8   |  |  |  |
| 21                            | DRAIN PIPE  |                                 | 321035-01   | 1                              | 1   |  |  |  |
| 22                            | TRUSS HEAD TAPPING SCREW T2                               |                                 | FT20410S0   | 2                              | 2   |  |  |  |
| 24                            | PVC Hose - FSA  |                                 | HD2226050   | 1                              | -   |  |  |  |
|                               |   |                                 | HD2226045   | -                              | 1   |  |  |  |
| 25                            | PVC Hose - FSA  |                                 | HD2226400   | 1                              | 1   |  |  |  |
| 26                            | PVC Hose (Food Grade)                                     |                                 | HD1923460   | 1                              | 1   |  |  |  |
| 27                            | PVC Hose - FSA  |                                 | HD0912450   | 1                              | 1   |  |  |  |
| 28                            | CLAMP   |                                 | 423866-03   | 2                              | 2   |  |  |  |
| 29                            | CAP   |                                 | 417323-01   | 1                              | 1   |  |  |  |





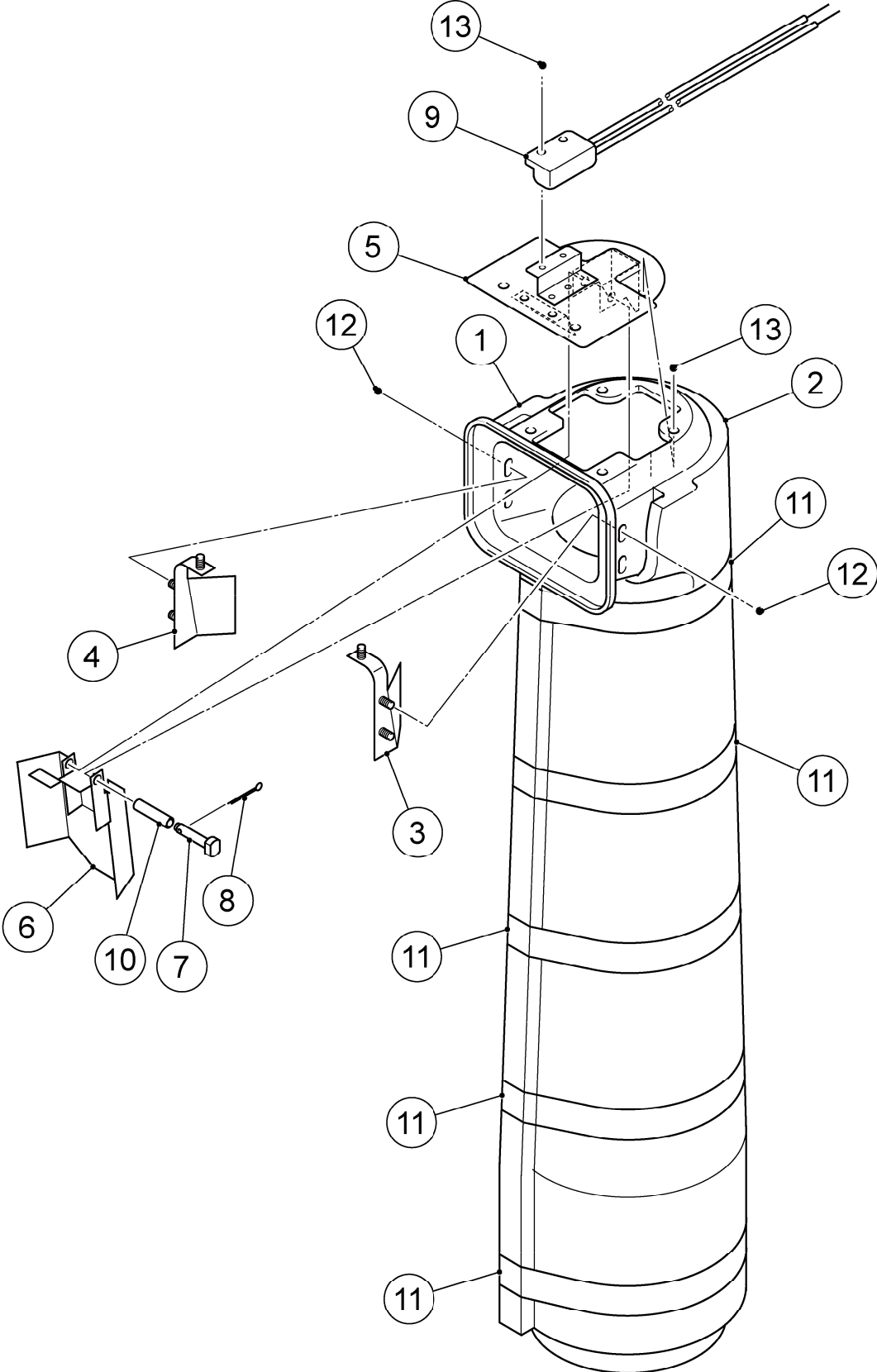
HE

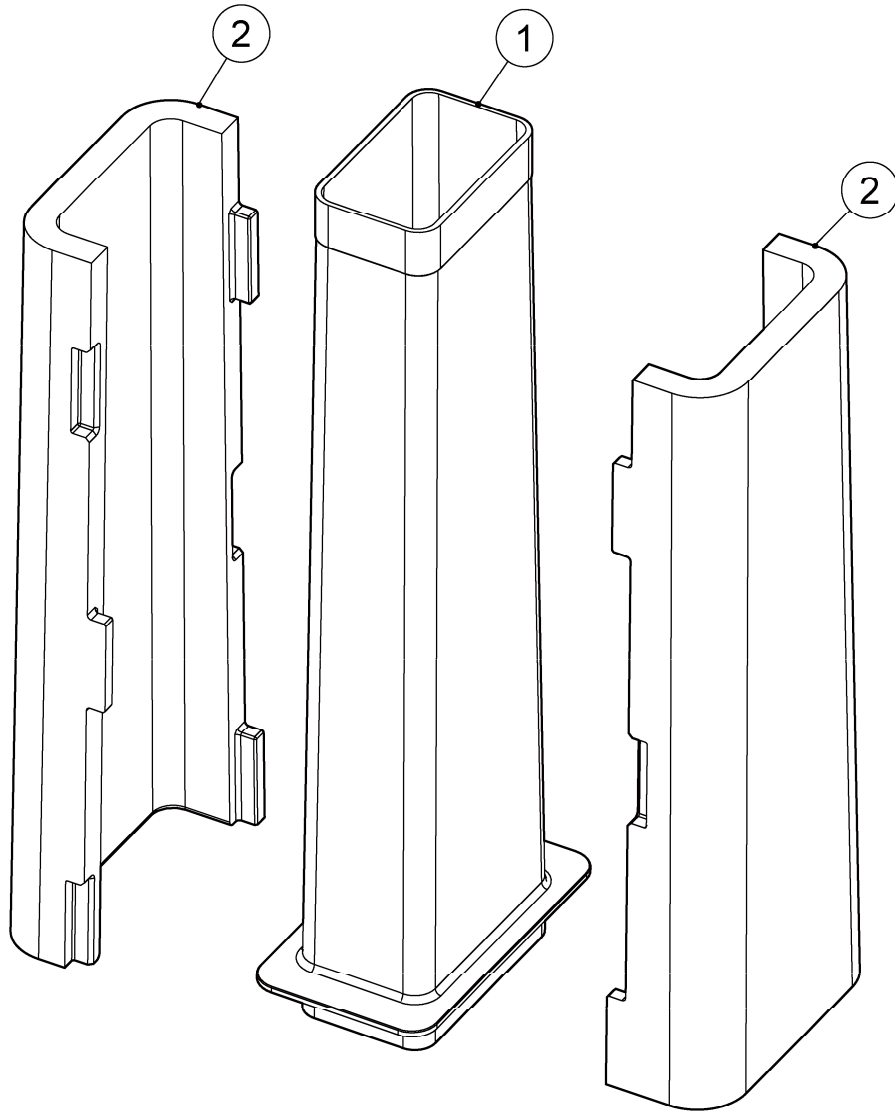
| MODEL: FM-300AKE (-SB) |                              | TITLE: E. CONTROL BOX ASSY |             |              |     |  |  |  |
|------------------------|------------------------------|----------------------------|-------------|--------------|-----|--|--|--|
| FM-300AKE-N (-SB)      |                              |                            |             |              |     |  |  |  |
| INDEX NO.              | DESCRIPTION                  | MATERIAL OR MODEL NUMBER   | PART NUMBER | REQ'D NUMBER |     |  |  |  |
|                        |                              |                            |             | B-1<br>D-0   | D-1 |  |  |  |
| 1                      | CONTROL BOX                  | 4x8                        | 121824G01   | 1            | 1   |  |  |  |
| 2                      | COVER - CONTROL BOX          |                            | 376330G01   | 1            | 1   |  |  |  |
| 3                      | TRUSS HEAD SCREW             | NGLS-6S                    | FST0408F0   | 1            | 1   |  |  |  |
| 4                      | BOARD SUPPORT                | CMPS45B605UWC              | 414929-01   | 6            | 6   |  |  |  |
| 5                      | CAPACITOR                    |                            | 459704-01   | 1            | 1   |  |  |  |
| 6                      | T2 TRUSS HEAD SCREW          | 4x8                        | FT20408F0   | 3            | 3   |  |  |  |
| 7                      | RELAY                        | LY2F AC240V                | 406132-08   | 1            | 1   |  |  |  |
| 8                      | T2(S) FLANGED PAN HEAD SCREW | 3x8                        | 431415-01   | 2            | 2   |  |  |  |
| 9                      | PROTECTOR                    | W28XQ1A-10                 | 440972-01   | 1            | 1   |  |  |  |
| 10                     | ROCKER SWITCH                |                            | 460681-01   | 1            | 1   |  |  |  |
| 11                     | BUSHING                      | OCB-1000                   | 428394-05   | 1            | 1   |  |  |  |
| 12                     | CONTROLLER BOARD - 09CM      |                            | P01372-99   | 1            | 1   |  |  |  |
| 13                     | HARNESS (A)                  |                            | 376352G01   | 1            | 1   |  |  |  |
| 14                     | HARNESS (B)                  |                            | 473845G01   | 1            | 1   |  |  |  |
| 15                     | HARNESS (C)                  |                            | 374366G01   | 1            | 1   |  |  |  |
| 16                     | SPACER                       | 4EP-9                      | 451658-05   | 4            | 4   |  |  |  |
| 17                     | OPERATION BOARD - 09CM       |                            | P01373-01   | 1            | 1   |  |  |  |
| 18                     | FLAT WASHER                  |                            | FWPL03P0    | 4            | 4   |  |  |  |
| 19                     | NUT                          |                            | FNH103F0    | 4            | 4   |  |  |  |
| 20                     | CONTROL LABEL                |                            | 374148L01   | 1            | 1   |  |  |  |
| 21                     | WIRE RETAINER                | No. 249                    | 427902-03   | 4            | 4   |  |  |  |
| 22                     | TRANSFORMER                  | TH6634-220/230/240V        | P02623-01   | 1            | 1   |  |  |  |
| 23                     | FUSE HOLDER                  | CFH15                      | 4Y2547-01   | 1            | 1   |  |  |  |
| 24                     | FUSE                         | 2183.15 250VAC 2.15A       | 451924-02   | 1            | 1   |  |  |  |
| 25                     | PAN HEAD TAPPING SCREW T2    | 3x8                        | FT50308F0   | 1            | 1   |  |  |  |
| 26                     | LABEL/FUSE                   |                            | 477494L01   | 1            | 1   |  |  |  |



HE

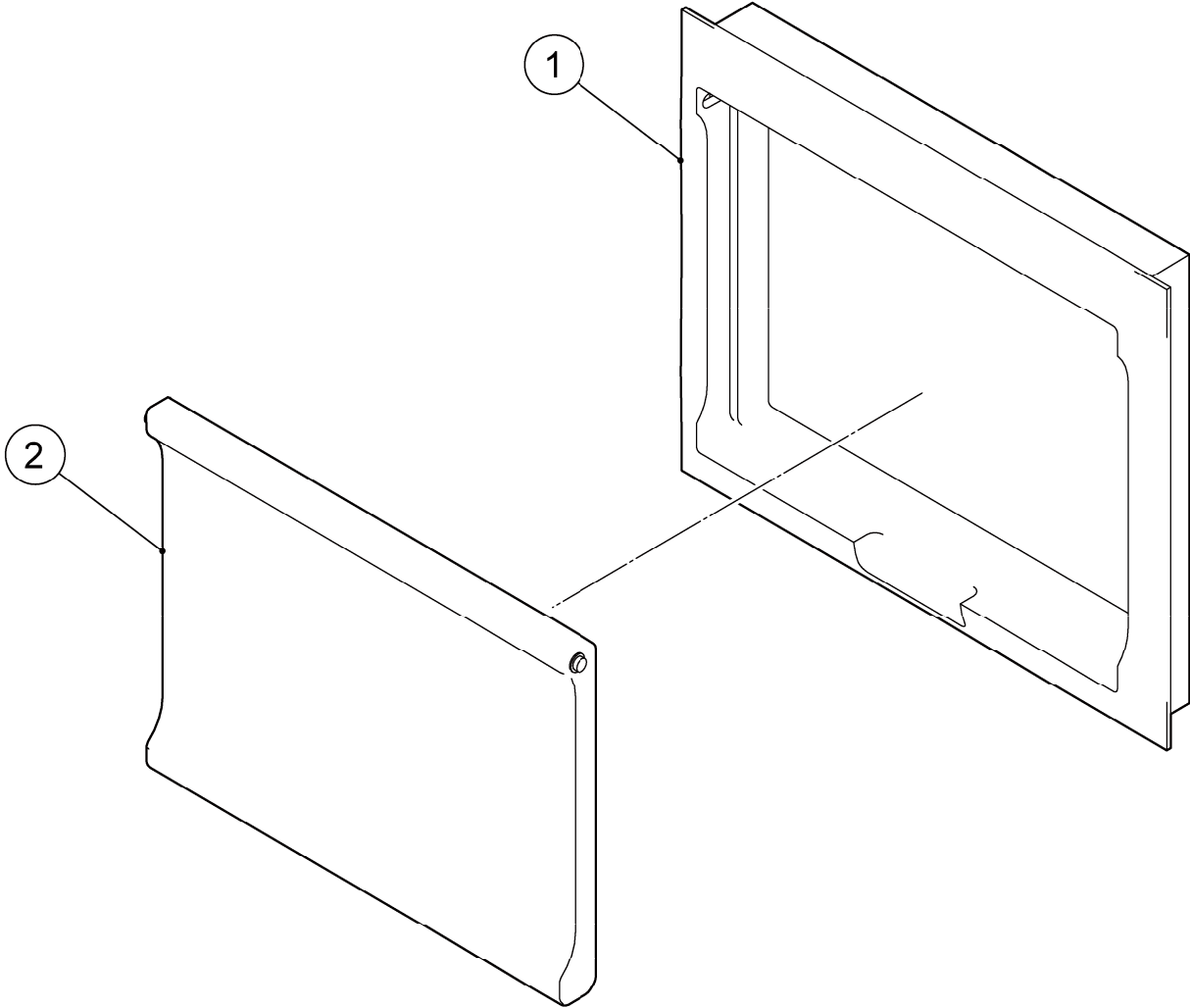
| MODEL: <b>FM-300AKE, FM-300AKI</b> |   | TITLE: <b>F. BAND ASSY</b> |             |              |  |  |  |
|------------------------------------|---|----------------------------|-------------|--------------|--|--|--|
| INDEX NO.                          | DESCRIPTION   | MATERIAL OR MODEL NUMBER   | PART NUMBER | REQ'D NUMBER |  |  |  |
|                                    |   |                            |             | B-1          |  |  |  |
| 1                                  | BAND (A)  |                            | 348305G01   | 1            |  |  |  |
| 2                                  | SPRING (A)  |                            | 459997-01   | 2            |  |  |  |
| 3                                  | MICROSWITCH   |                            | 443992-02   | 1            |  |  |  |
| 4                                  | PAN HEAD MACHINE SCREW<br>(SPRING WASHER AND FLAT WASHER) |                            | 470416-01   | 2            |  |  |  |





HE

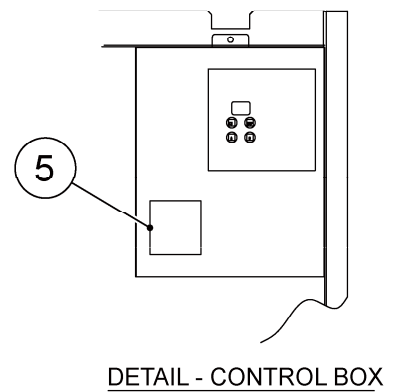
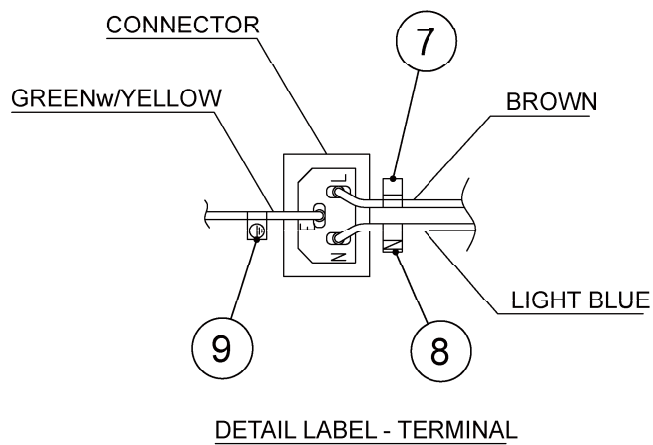
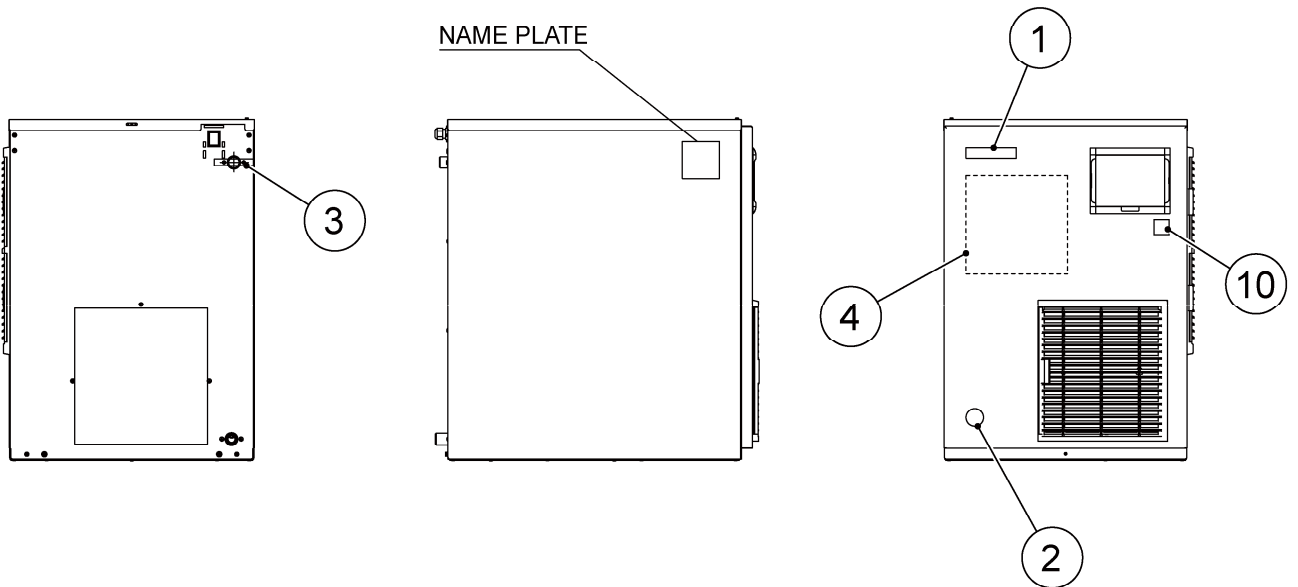
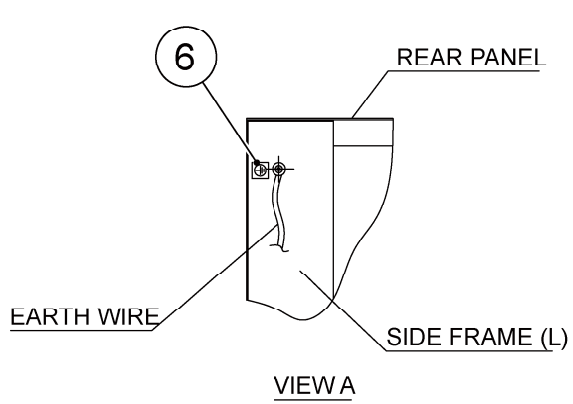
| MODEL: <b>FM-300AKE (-SB)</b> |                    | TITLE: <b>G. CHUTE ASSY</b> |             |              |     |  |  |  |
|-------------------------------|--------------------|-----------------------------|-------------|--------------|-----|--|--|--|
| FM-300AKE-N (-SB)             |                    |                             |             |              |     |  |  |  |
| INDEX NO.                     | DESCRIPTION        | MATERIAL OR MODEL NUMBER    | PART NUMBER | REQ'D NUMBER |     |  |  |  |
|                               |                    |                             |             | B-1<br>D-0   | D-1 |  |  |  |
| 1                             | CHUTE              |                             | 214823-01   | 1            | -   |  |  |  |
|                               |                    |                             | 263897P02   | -            | 1   |  |  |  |
| 2                             | INSULATION-CHUTE   |                             | 235310-01   | 1            | -   |  |  |  |
|                               |                    |                             | 263903P02   | -            | 2   |  |  |  |
| 3                             | BAFFLE - CHUTE (A) |                             | 325122G01   | 1            | -   |  |  |  |
| 4                             | BAFFLE - CHUTE (B) |                             | 325123G01   | 1            | -   |  |  |  |
| 5                             | BIN CONTROL        |                             | 353918G01   | 1            | -   |  |  |  |
| 6                             | ACTUATOR           |                             | 436848G05   | 1            | -   |  |  |  |
| 7                             | SHAFT              |                             | 458813-01   | 1            | -   |  |  |  |
| 8                             | SPLIT PIN          |                             | 711SP1612   | 1            | -   |  |  |  |
| 9                             | PROXIMITY SWITCH   |                             | 4A2033-01   | 1            | -   |  |  |  |
| 10                            | TUBE               |                             | 461623-01   | 1            | -   |  |  |  |
| 11                            | TAPE               |                             | 113006Z01   | 5            | -   |  |  |  |
| 12                            | WING NUT           |                             | FNW204S0    | 6            | -   |  |  |  |
| 13                            | TRUSS HEAD SCREW   |                             | FST0406S0   | 4            | -   |  |  |  |



HE

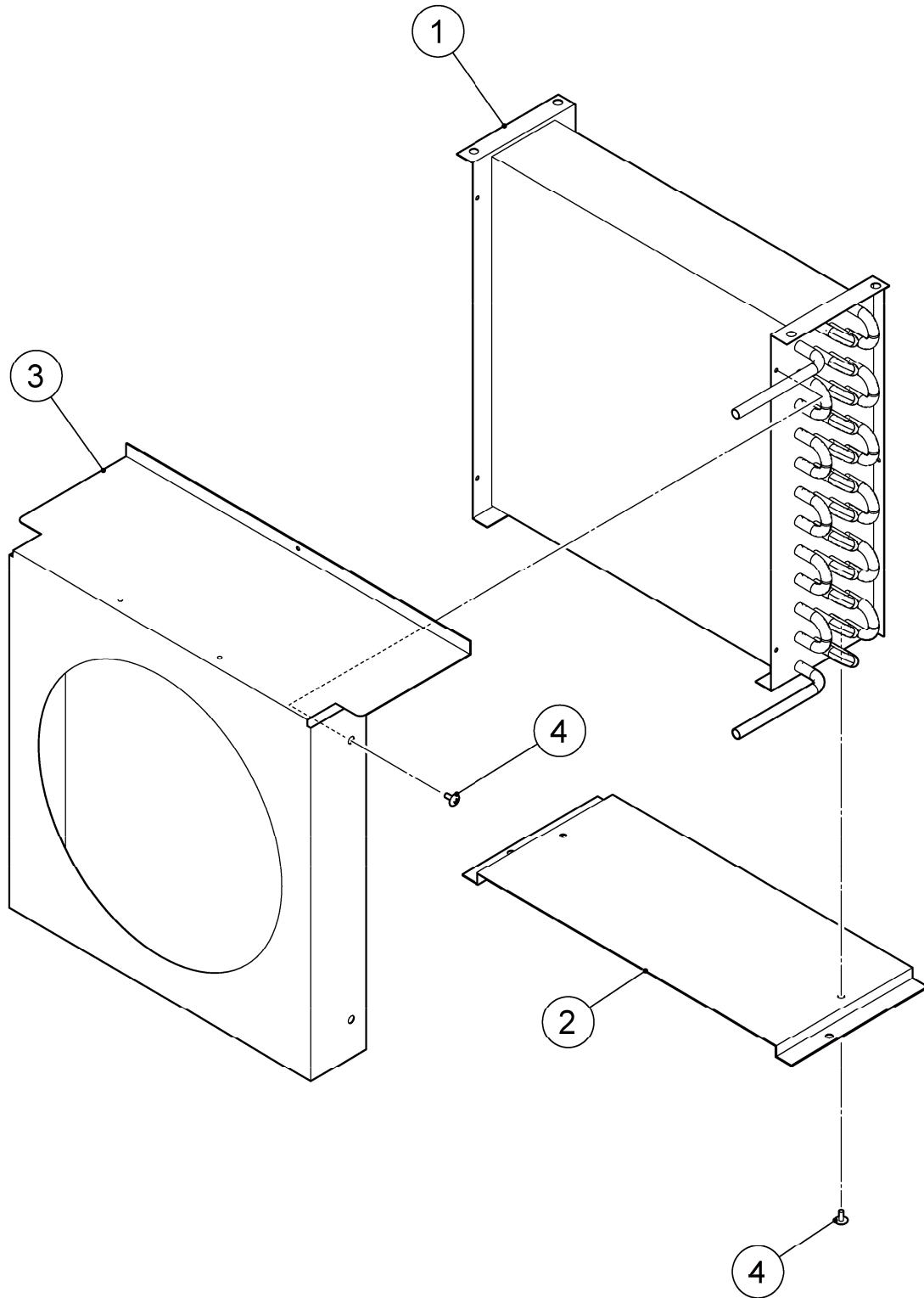
| MODEL: <b>FM-300AKE (-SB)</b> |             | TITLE: <b>H. WINDW PANEL ASSY</b> |             |              |     |  |  |  |
|-------------------------------|-------------|-----------------------------------|-------------|--------------|-----|--|--|--|
| FM-300AKE-N (-SB)             |             |                                   |             |              |     |  |  |  |
| INDEX NO.                     | DESCRIPTION | MATERIAL OR MODEL NUMBER          | PART NUMBER | REQ'D NUMBER |     |  |  |  |
|                               |             |                                   |             | B-1<br>D-0   | D-1 |  |  |  |
| 1                             | WIND FRAME  |                                   | 232648-01   | 1            | 1   |  |  |  |
| 2                             | WIND PANEL  |                                   | 232649-03   | 1            | 1   |  |  |  |





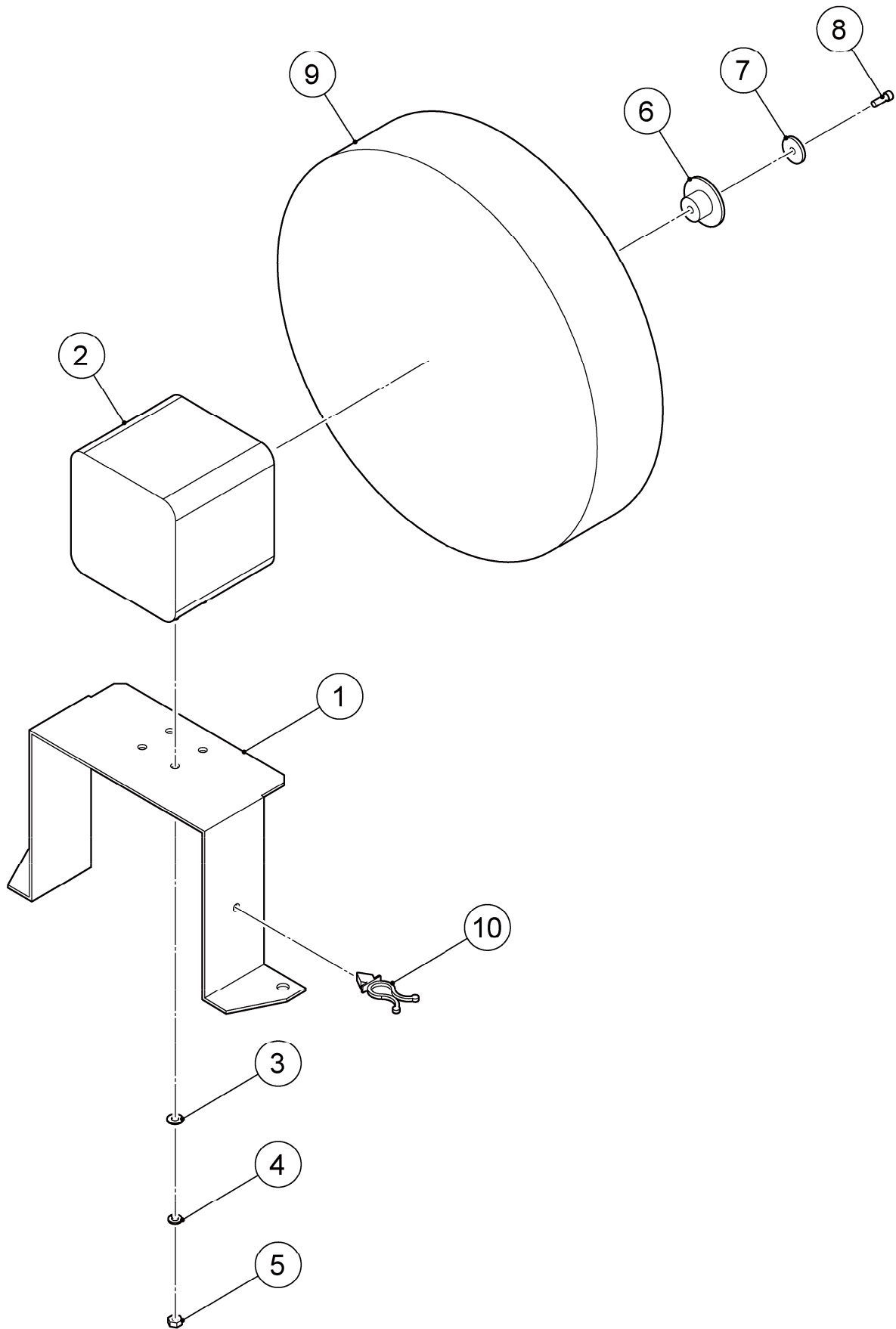
HE

| MODEL: <b>FM-300AKE (-SB)</b> |                         | TITLE: <b>J. LABEL LOCATION</b> |             |              |     |  |  |  |
|-------------------------------|-------------------------|---------------------------------|-------------|--------------|-----|--|--|--|
| FM-300AKE-N (-SB)             |                         |                                 |             |              |     |  |  |  |
| INDEX NO.                     | DESCRIPTION             | MATERIAL OR MODEL NUMBER        | PART NUMBER | REQ'D NUMBER |     |  |  |  |
|                               |                         |                                 |             | B-1<br>D-0   | D-1 |  |  |  |
| 1                             | EMBLEM                  |                                 | 340842-01   | 1            | 1   |  |  |  |
| 2                             | LABEL - PENGUIN         |                                 | 454387-01   | 1            | 1   |  |  |  |
| 3                             | CAUTION - LABEL         |                                 | 452552-01   | 1            | 1   |  |  |  |
| 4                             | WIRING LABEL            |                                 | 262073L01   | 1            | -   |  |  |  |
|                               |                         |                                 | 264591L01   | -            | 1   |  |  |  |
|                               |                         | F081-C130, F081-C131            | 263393L01   | 1            | -   |  |  |  |
|                               |                         |                                 | 264592L01   | -            | 1   |  |  |  |
| 5                             | CAUTION LABEL - SERVICE |                                 | 471180L01   | 1            | 1   |  |  |  |
| 6                             | LABEL - EARTH (B)       |                                 | 450452-02   | 1            | -   |  |  |  |
| 7                             | LABEL - TERMINAL        |                                 | 452379-03   | 1            | -   |  |  |  |
| 8                             | LABEL - TERMINAL        |                                 | 452379-04   | 1            | -   |  |  |  |
| 9                             | LABEL - TERMINAL        |                                 | 452379-05   | 1            | -   |  |  |  |
| 10                            | LABEL - HACCP           |                                 | 476519L01   | 1            | 1   |  |  |  |



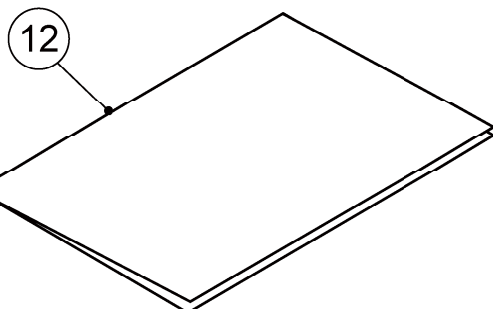
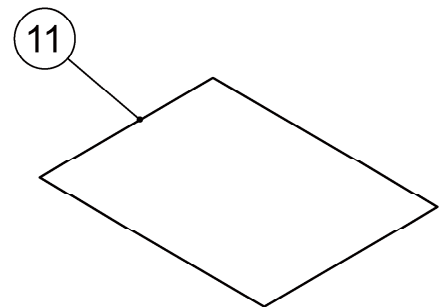
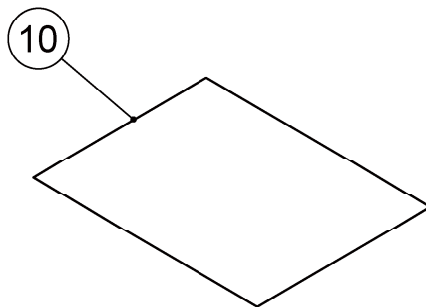
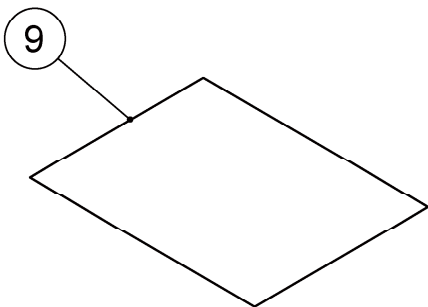
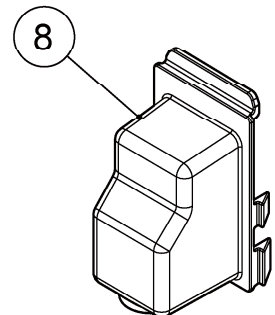
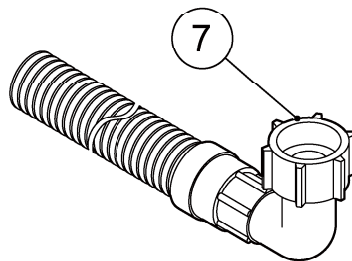
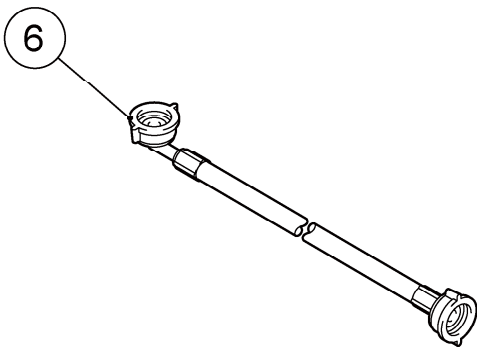
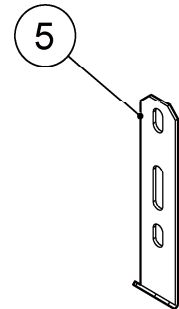
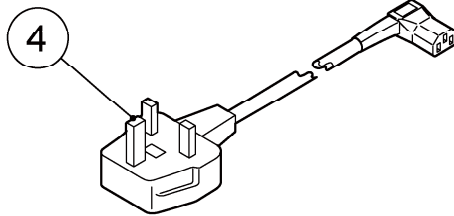
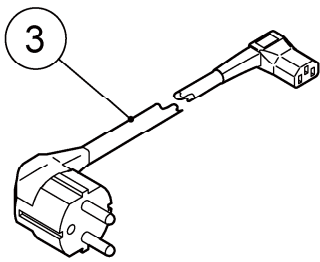
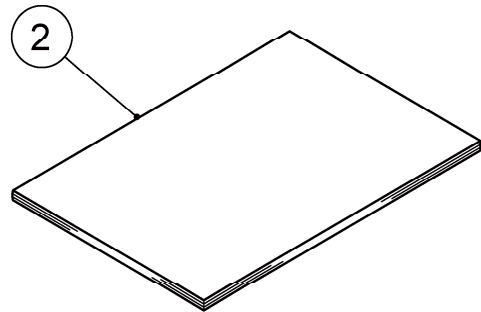
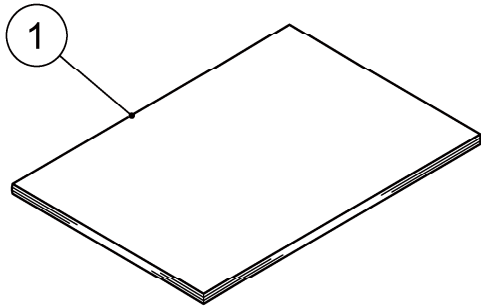
HE

| MODEL: <b>FM-300AKE (-SB)</b> |                        | TITLE: <b>K. CONDENSER ASSY</b> |             |              |     |  |  |  |
|-------------------------------|------------------------|---------------------------------|-------------|--------------|-----|--|--|--|
| FM-300AKE-N (-SB)             |                        |                                 |             |              |     |  |  |  |
| INDEX NO.                     | DESCRIPTION            | MATERIAL OR MODEL NUMBER        | PART NUMBER | REQ'D NUMBER |     |  |  |  |
|                               |                        |                                 |             | B-1<br>D-0   | D-1 |  |  |  |
| 1                             | CONDENSER - AIR COOLED |                                 | P02264-01   | 1            | 1   |  |  |  |
| 2                             | BRACKET - CONDENSER    |                                 | 476679M01   | 1            | 1   |  |  |  |
| 3                             | SHROUD                 |                                 | 262064M01   | 1            | 1   |  |  |  |
| 4                             | T2 TRUSS HEAD SCREW    |                                 | FT20408F0   | 6            | 6   |  |  |  |



HE

| MODEL: <b>FM-300AKE (-SB)</b> |                     |                          |             | TITLE: <b>L. FAN MOTOR ASSY</b> |     |  |  |  |
|-------------------------------|---------------------|--------------------------|-------------|---------------------------------|-----|--|--|--|
| FM-300AKE-N (-SB)             |                     |                          |             |                                 |     |  |  |  |
| INDEX NO.                     | DESCRIPTION         | MATERIAL OR MODEL NUMBER | PART NUMBER | REQ'D NUMBER                    |     |  |  |  |
|                               |                     |                          |             | B-1<br>D-0                      | D-1 |  |  |  |
| 1                             | BRACKET - FAN MOTOR |                          | 376371M01   | 1                               | 1   |  |  |  |
| 2                             | FAN MOTOR           |                          | P02528-01   | 1                               | 1   |  |  |  |
| 3                             | FLAT WASHER         |                          | FWPL04S0    | 4                               | 4   |  |  |  |
| 4                             | SPRING WASHER       |                          | FWSP04S0    | 4                               | 4   |  |  |  |
| 5                             | NUT                 |                          | FNH104S0    | 4                               | 4   |  |  |  |
| 6                             | VIBRATION PAD       |                          | P02528F01   | 1                               | 1   |  |  |  |
| 7                             | WASHER/PAD          |                          | P02528F02   | 1                               | 1   |  |  |  |
| 8                             | BOLT                |                          | P02528F03   | 1                               | 1   |  |  |  |
| 9                             | FAN BLADE           |                          | P02529-01   | 1                               | 1   |  |  |  |
| 10                            | WIRE RETAINER       |                          | 427902-03   | 1                               | 1   |  |  |  |



HE

| MODEL: <b>FM-300AKE (-SB)</b> |                            | TITLE: <b>M. ACCESSORIES</b> |             |              |     |  |  |  |
|-------------------------------|----------------------------|------------------------------|-------------|--------------|-----|--|--|--|
| FM-300AKE-N (-SB)             |                            |                              |             |              |     |  |  |  |
| INDEX NO.                     | DESCRIPTION                | MATERIAL OR MODEL NUMBER     | PART NUMBER | REQ'D NUMBER |     |  |  |  |
|                               |                            |                              |             | B-1<br>D-0   | D-1 |  |  |  |
| 1                             | INSTRUCTION MANUAL         |                              | L1F054203   | 1            | 1   |  |  |  |
| 2                             | INSTALLATION MANUAL        |                              | L2F054201   | 1            | -   |  |  |  |
|                               |                            |                              | L2F054203   | -            | 1   |  |  |  |
| 3                             | POWER SUPPLY CORD          | CONT Plug                    | P03359-01   | 1            | 1   |  |  |  |
| 4                             | POWER SUPPLY CORD          | UK Plug                      | P03360-01   | 1            | 1   |  |  |  |
| 5                             | UNIVERSAL BRACE            |                              | 4A0363-01   | 2            | 2   |  |  |  |
| 6                             | INLET HOSE                 |                              | 450722-01   | 1            | 1   |  |  |  |
| 7                             | OUTLET HOSE                |                              | 452365-01   | 1            | 1   |  |  |  |
| 8                             | COVER - CONNECTOR          |                              | 2X0271P01   | 1            | 1   |  |  |  |
| 9                             | POLYETHYLENE BAG (300*450) |                              | 7V90-0015   | 1            | 1   |  |  |  |
| 10                            | PE STANDARD BAG            |                              | 7V90-0012   | 1            | 1   |  |  |  |
| 11                            | PE BAG (STANDARD)          |                              | 7V90-0020   | 1            | 1   |  |  |  |
| 12                            | INSTRUCTION MANUAL         |                              | 122234L01   | 1            | 1   |  |  |  |